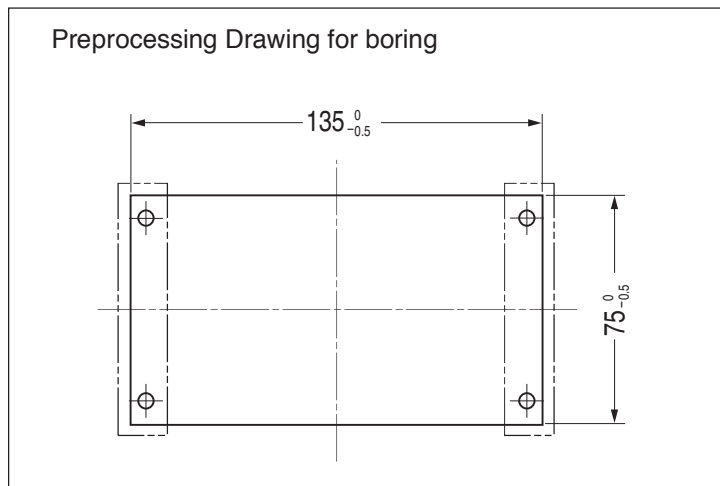
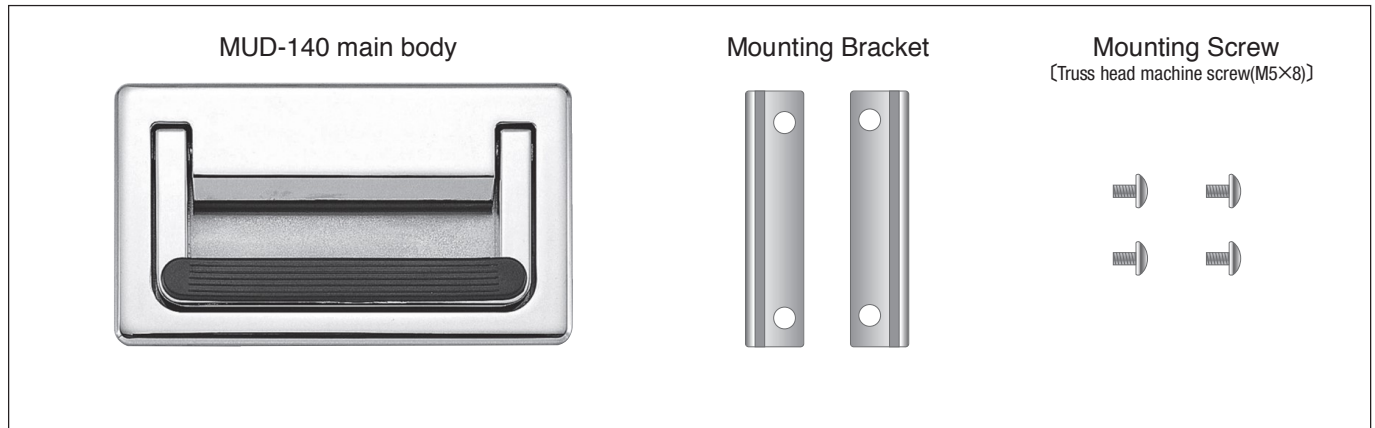


LAMP[®]

TRUNK HANDLE MUD-140 INSTALLATION MANUAL

For proper installation and use, please follow the instruction carefully.

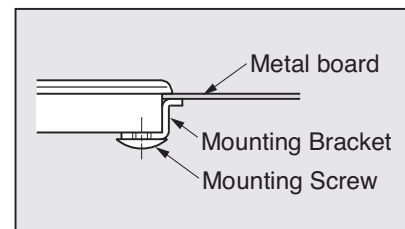
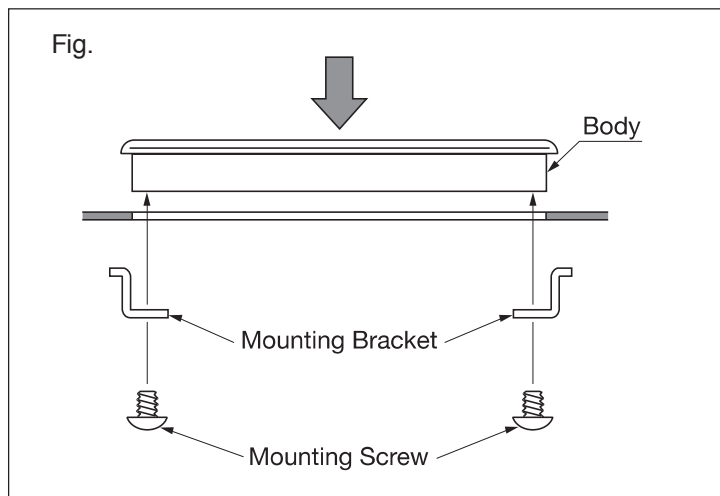
■ Maximum loading capacity: 30 kg.



HOW TO INSTALL

〔Applicable to metal board ranging from 0.8 mm thick to 3.2 mm thick by using proper size mounting plate〕

- 1 Following the drawing left, please do preprocessing work on mounting surface.
- 2 Place main body into mounting hole.
- 3 Fix main body by clamping metal board with mounting bracket fastened by screws from back side.(Fig)
- 4 Tighten all four screws.



SUGATSUNE KOGYO CO.,LTD.
Phone: +81 3 3866 2260
F a x : +81 3 3866 4447
E-mail: export@sugatsune.co.jp
Website: www.sugatsune-intl.com

SUGATSUNE KOGYO (UK) LTD.
Phone: +44 118 9272 955
F a x : +44 118 9272 871
E-mail: sales@sugatsune.co.uk
Website: www.sugatsune.co.uk

SUGATSUNE AMERICA, INC.
Phone: +1 310 329 6373
F a x : +1 310 329 0819
E-mail: sales@sugatsune.com
Website: www.sugatsune.com

SUGATSUNE SHANGHAI CO., LTD.
Phone: +86 21 3632 1858
F a x : +86 21 3632 1868
E-mail: lamp@sugatsune.com.cn
Website: www.sugatsune.com.cn